

MOD.1 - ASSIGNMENT

Questions Settings Preview Results Comments

Show instructions

Questions 1-41 of 62 | Page 1 of 3

Vocabulary & Basics**Question 1** (10 points)

In a shell and tube heat exchanger the diameter of the shell is

- a larger than the tube
- b smaller than the tube
- c equal to the tube
- d it may be any of these

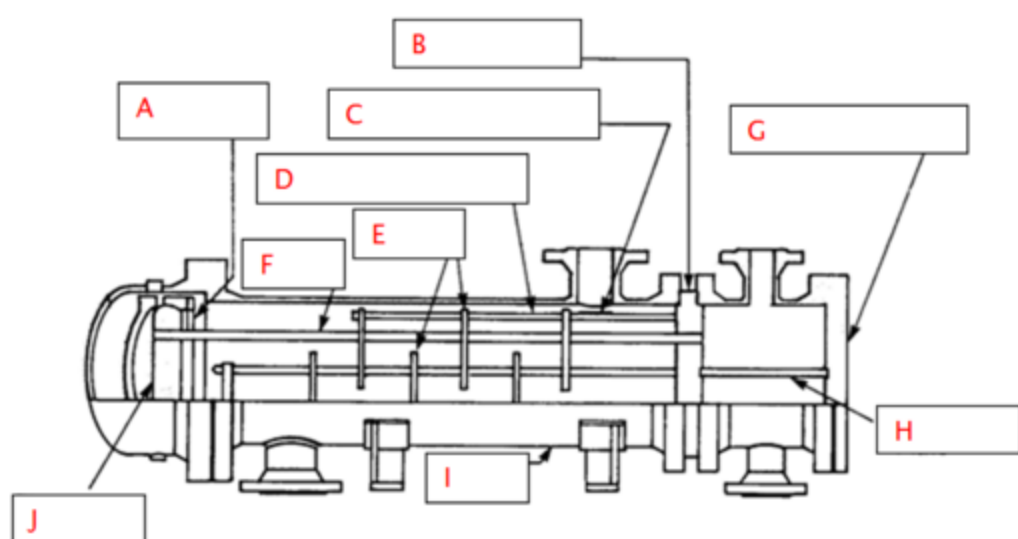
Question 5 (10 points)

In a shell and tube heat exchanger, the elements dividing the shell side and tube side fluids are

- a the tubes
- b the shell
- c the Baffles
- d the tubesheet
- e Both the first and fourth options are correct

Question 7 (10 points)

Match the different parts with the right description.

**Column A**

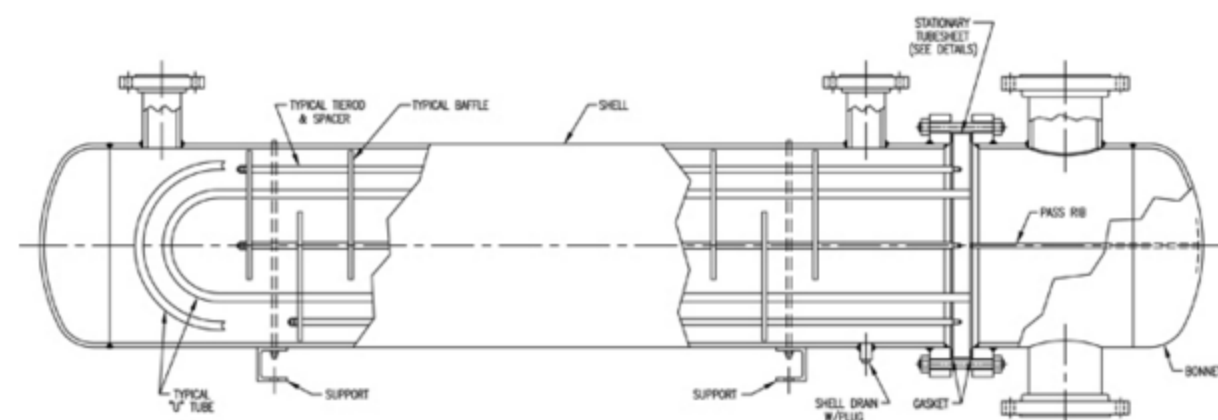
1. ___ A
2. ___ B
3. ___ C
4. ___ D
5. ___ E
6. ___ F
7. ___ G
8. ___ H
9. ___ I
10. ___ J

Column B

- a. Backing Ring
- b. Tierods & Spacers
- c. Baffles
- d. Shell
- e. Impingement Plate
- f. Tubes
- g. Tubesheet
- h. Partition Plate
- i. Floating Tubesheet
- j. Channel Cover

Question 13 (10 points)

According to TEMA classification, the shell and tube heat exchanger shown in the picture below is:



- a NEN
- b AEU
- c BES
- d BEU

Column A

1. ___ A
2. ___ B
3. ___ C
4. ___ D
5. ___ E
6. ___ F
7. ___ G
8. ___ H
9. ___ I
10. ___ J

Column B

- a. Backing Ring
- b. Tierods & Spacers
- c. Baffles
- d. Shell
- e. Impingement Plate
- f. Tubes
- g. Tubesheet
- h. Partition Plate
- i. Floating Tubesheet
- j. Channel Cover

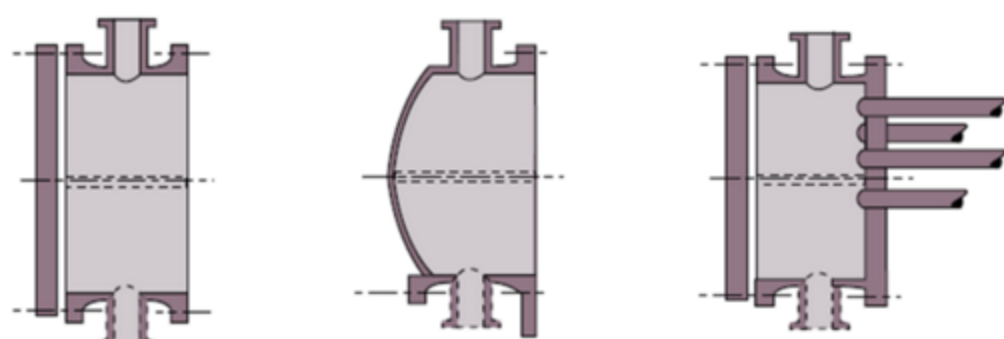
Question 18 (10 points)

The baffles are used on which side of the heat exchanger?

- a Shell Side
- b Tube Side
- c Both
- d None of the above

Question 28 (10 points)

From the three stationary heads shown in the picture below, indicate which head is better for cleaning the inside part of the tubes:



- a Left
- b Middle
- c Right
- d All three of them have the same access to the tubes
- e Both left and right have the same access to the tubes